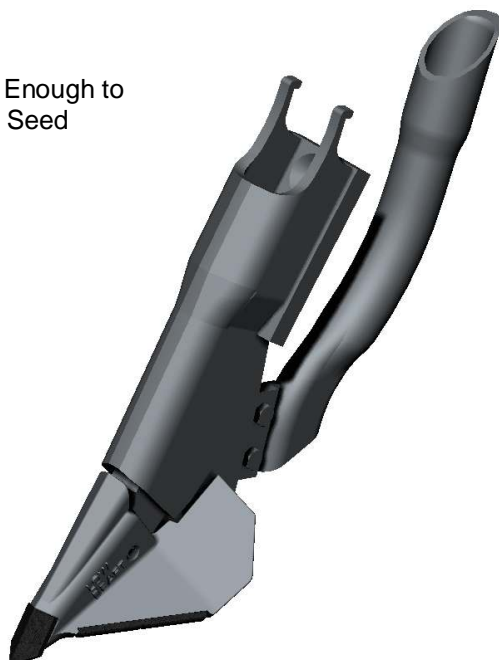


**Low Draft**

**Uses Over 37% Less Horsepower/Shank  
Your low-cost solution for double shooting  
with granular or liquid fertilizer**

Seed Tube Large Enough to  
Accommodate All Seed  
Types!

Replaceable Carbide Tip for  
acre after acre of precise seed  
placement and economical  
operation

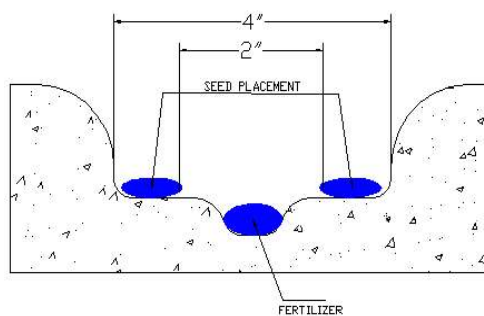


Granular Fertilizer Tube,  
Liquid or Dual Fertilizer  
Placement

Available in 3.5" and 5"  
Paired Row Widths

“I am a farmer from Montmartre, farming approx. 1200 acres. I use a 1820 JD drill double shoot machine. Last year I used the Dutch Low Draft paired row knife. Emergence was excellent, with a nice even crop in a distinct Paired Row. This knife was real easy to pull and left the field smooth at approx. 4.7 mph. I would recommend this knife to anybody using dry or liquid fertilizer.”

Jerry Stremick  
Montmartre, SK



3 1/2" Low Draft Paired Row Attachment - Seed & Fertilizer  
Placement Profile Tested on a 50° Shank @ 5mph

**Low Draft****How To Order:****Low Draft Knife Attachment**

Save time and money with this new easy to pull opener engineered for precision seed placement and low horsepower requirements

\* All Low Draft Knife Attachments include the Fertilizer Tube and Carbided Tip

Refer to "Section B" of this catalogue for tips.

**Note:** The following fertilizer delivery tubes are available upon request.

**NEW! OPENER INSTALLATION KITS****DUTCH Opener Installation Kit (35 Opener)**

Product Code # 2044 \*Consists of:

- 70 - 1/2" x 2 1/2" Grade 8 Plow Bolts
- 70 - 1/2" Oversized Grade 8 Hex
- 70 - 1/2" Grade 8 Lock Washers
- 70 - 1 1/4" Hose Clamps
- 1- Dutch Roll Pin Punch
- 1- Dutch Angle finder
- 1- Dutch Seed finder

**DUTCH Opener Installation Kit (5 Opener)**

Product Code # 2056 \*Consists of:

- 10 - 1/2" x 2 1/2" Grade 8 Plow Bolts
- 10 - 1/2" Oversized Grade 8 Hex Nuts
- 10 - 1/2" Grade 8 Lock Washer
- 10 - 1 1/4" Hose Clamps

- A. Gumbo Granular Fertilizer  
Eliminate plugging in Gumbo soils!!  
Product Code #2127



- B. Dual Fertilizing - Granular and  
1/4" Stainless Steel Liquid  
Product #2179



**Low Draft**

C.



D.



- C. C-Shank 3½" Low Draft Paired Row  
With 1/4" Liquid Tube Adapter Barb  
Product Code #2205  
C-Shank 5" Low Draft Paired Row  
With 1/4" Liquid Tube Adapter Barb  
Product Code #2400  
C-Shank, Low Draft Side Bander, Right  
With 1/4" Liquid Tube Adapter Barb  
Product Code #2265  
C-Shank, Low Draft Side Bander, Left  
With 1/4" Liquid Tube Adapter Barb  
Product Code #2266

C-Shank 3½" Low Draft Paired Row  
With 3/8" Liquid Tubes  
Product Code #2220  
C-Shank 5" Low Draft Paired Row  
With 3/8" Liquid Tubes  
Product Code #2430  
C-Shank, Low Draft Side Bander, Right  
With 3/8" Liquid Tubes  
Product Code #2260  
C-Shank, Low Draft Side Bander, Left  
With 3/8" Liquid Tubes  
Product Code #2261

- C-Shank 3½" Low Draft Paired Row  
With ½" Liquid Tubes  
Product Code #2175  
C-Shank 5" Low Draft Paired Row  
With ½" Liquid Tubes  
Product Code #2405  
C-Shank, Low Draft Side Bander, Right  
With ½" Liquid Tubes  
Product Code #2255  
C-Shank, Low Draft Side Bander, Left  
With ½" Liquid Tubes  
Product Code #2256

- D. C-Shank 3½" Low Draft Paired Row  
For Granular Fertilizer  
Product Code #2180  
C-Shank 5" Low Draft Paired Row  
For Granular Fertilizer  
Product Code #2435  
C-Shank, Low Draft Side Bander, Left  
For Granular Fertilizer  
Product Code #2251  
C-Shank, Low Draft Side Bander, Right  
For Granular Fertilizer  
Product Code #2250

**Low Draft****Low Draft Knives to fit Concord Edge on Shanks**

E.



E. 3½" Low Draft Paired Row  
With ¼" Liquid Tube Adapter Barb  
Product Code #2215  
5" Low Draft Paired Row  
With ¼" Liquid Tube Adapter Barb  
Product Code #2450  
Low Draft Side Bander, Right  
With ¼" Liquid Tube Adapter Barb  
Product Code #2305  
Low Draft Side Bander, Left  
With ¼" Liquid Tube Adapter Barb  
Product Code #2306

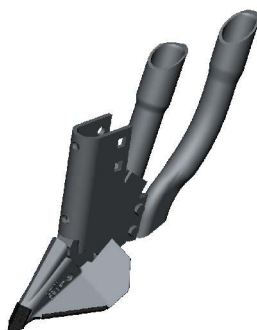
3½" Low Draft Paired Row  
With ⅜" Liquid Tubes  
Product Code #2230  
5" Low Draft Paired Row  
With ⅜" Liquid Tubes  
Product Code #2460  
Low Draft Side Bander, Right  
With ⅜" Liquid Tubes  
Product Code #2300  
Low Draft Side Bander, Left  
With ⅜" Liquid Tubes  
Product Code #2301

3½" Low Draft Paired Row  
With ½" Liquid Tubes  
Product Code #2240  
5" Low Draft Paired Row  
With ½" Liquid Tubes  
Product Code #2455  
Low Draft Side Bander, Right  
With ½" Liquid Tubes  
Product Code #2295  
Low Draft Side Bander, Left  
With ½" Liquid Tubes  
Product Code #2296

3½" Low Draft Paired Row  
For Granular Fertilizer  
Product Code #2190  
5" Low Draft Paired Row  
For Granular Fertilizer  
Product Code #2465  
Low Draft Side Bander, Right  
For Granular Fertilizer  
Product Code #2290  
Low Draft Side Bander, Left  
For Granular Fertilizer  
Product Code #2291

**Low Draft****Low Draft knives to fit Morris Edge on Shanks**

F.



- F. 3½" Low Draft Paired Row  
With ¼" Liquid Tube Adapter Barb  
Product Code #2210  
5" Low Draft Paired Row  
With ¼" Liquid Tube Adapter Barb  
Product Code #2470  
Low Draft Side Bander, Right  
With ¼" Liquid Tube Adapter Barb  
Product Code #2285  
Low Draft Side Bander, Left  
With ¼" Liquid Tube Adapter Barb  
Product Code #2286

3½" Low Draft Paired Row  
With 3/8" Liquid Tubes  
Product Code #2225  
5" Low Draft Paired Row  
With 3/8" Liquid Tubes  
Product Code #2480  
Low Draft Side Bander, Right  
With 3/8" Liquid Tubes  
Product Code #2280  
Low Draft Side Bander, Left  
With 3/8" Liquid Tubes  
Product Code #2281

- 3½" Low Draft Paired Row  
With ½" Liquid Tubes  
Product Code #2235  
5" Low Draft Paired Row  
With ½" Liquid Tubes  
Product Code #2475  
Low Draft Side Bander, Right  
With ½" Liquid Tubes  
Product Code #2275  
Low Draft Side Bander, Left  
With ½" Liquid Tubes  
Product Code #2276

3½" Low Draft Paired Row  
For Granular Fertilizer  
Product Code #2185  
5" Low Draft Paired Row  
For Granular Fertilizer  
Product Code #2485  
Low Draft Side Bander, Right  
For Granular Fertilizer  
Product Code #2270  
Low Draft Side Bander, Left  
For Granular Fertilizer  
Product Code #2271

**Low Draft****G. Low Draft Replacement Tips**

High Performance Triple Carbide Tip Fits All  
Low Draft Paired Row Bodies  
Product Code #2195  
5" Carbide Tip  
Product Code #2395  
Carbide Tip for Side Banders  
Right, Product Code #2282  
Left, Product Code #2272



G.

**Low Draft Replacement Tubes**

- H. Low Draft - 1/4" Liquid Tube Adapter Barb Assembly  
Product Code #2149  
Low Draft - 3/8" Liquid Tube Assembly  
Product Code #2169  
Low Draft - 1/2" Liquid Tube Assembly  
Product Code #2176

H.



I.

- I. Low Draft - Granular Tube Assembly  
Product Code #2178

## A Paired Row for Behind Your Shovel !

### How To Order:

Paired Row for behind your 6" shovel.  
Places seed in two distinct rows 5" in width  
Fits C-Shanks only

\* Shovel not included.  
Product Code #1970

